

TruSystem™ 7500 OR Table

Ahead of its Time



Enhancing outcomes for patients and their caregivers:



Cutting-Edge Technology – Now and in the Future

Current requirements in the OR demand a high level of flexibility and safety. To make workflow as efficient as possible, Trumpf Medical developed the trend-setting TruSystem™ 7500 OR System Table, which enables highly ergonomic working methods for patient loads of up to 880 lbs/400 kg. In addition, the TruSystem™ 7500 SensorLine OR Table package helps to enhance safety and efficiency of patient care.

The result is an innovative solution that helps to ensure that your OR is fit for the future.



For further information on the TruSystem™ 7500 OR Table, go to www.trumpfmedical.com/en/trusystem7500

Safe, Ergonomic and Efficient

TruSystem™ 7500 OR Table enhances functionality, ease of use and design

- **Safer workflow**

With the SensorLine enhancement package, TruSystem™ 7500 OR Table offers assistance functions including collision monitoring and overload protection, to make working in the OR even safer.

- **Impressive flexibility**

TruSystem™ 7500 OR Table offers extreme adjustment ranges and is, therefore, suitable for a wide variety of different disciplines.

- **Ergonomic handling**

Due to the intuitive coupling point system, all components can be exchanged with ease. A reduction of up to 25% in component weight also simplifies day-to-day handling in the OR.



TruSystem™ 7500 Hybrid OR Table – the Center for the Hybrid OR

The Hybrid OR with modern imaging is the future of integrated patient care. TruSystem™ 7500 Hybrid OR Table offers solution-based user-friendliness. The flexible integration interface allows for

communication with imaging processes, as well as the OR Integration System, TruConnect™, by Trumpf Medical. The table and other integrated systems are then controlled via a central module – for all-round intelligent networking.



Flexible integration interface for a multi-functional hybrid system

TruSystem™ 7500 OR Table offers partners the ideal solution for interdisciplinary requirements during the operation.

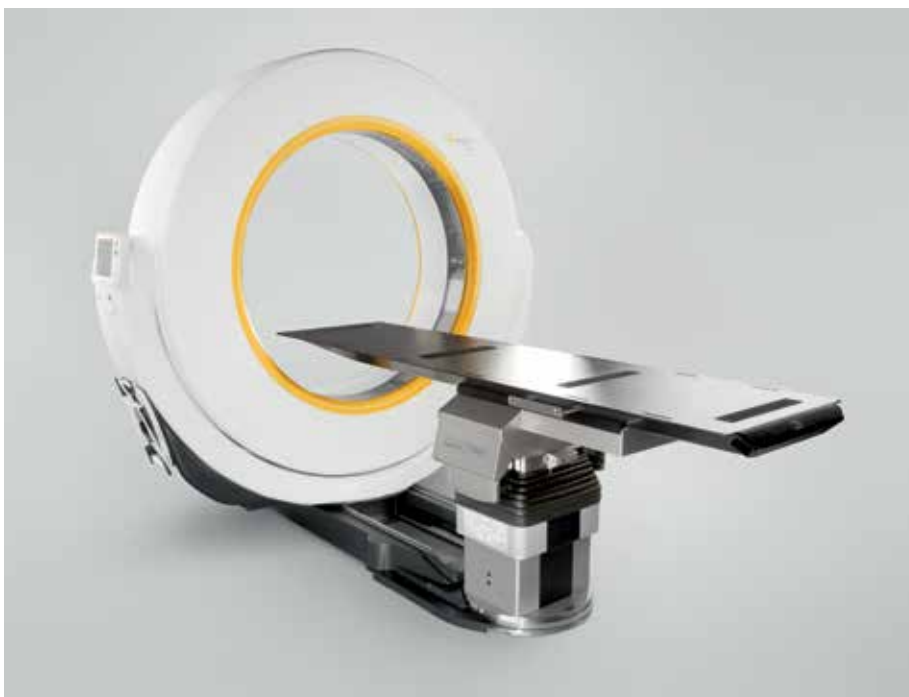


Get to know our partners at:
www.trumpfmedical.com/en/partner



Carbon FloatLine™ OR Tabletop – accurate patient positioning using intelligent sensor technology

- **Assistance in vascular surgery** through rotation around a fixed isocenter in the image with TruSystem™ 7500 SensorLine OR Table
- **Maximum comfort during traumatological-neurosurgical procedures** with a radiolucence of up to 70.9" / 1,800 mm through 360°
- **Free-floating movement** using the power-sensor-assisted operating unit Sensor Control FloatLine



TruSystem™ 7500 OR Table – a solution for cranial, spinal and traumatological procedures

In combination with the Airo® Mobile Intraoperative CT Scanner by Brainlab, the TruSystem™ 7500 OR System Table facilitates an ideal workflow for inter-operative imaging. With positioning sets, carbon components and accessories for cranial, spinal, and traumatological interventions, the replaceable tabletop system is the unique solution for optimizing workflow in hybrid operating rooms.

Safe and Well-Designed TruSystem™ 7500 SensorLine OR Table

The TruSystem™ 7500 SensorLine OR Table package offers additional safety and flexibility, enabling you to meet your individual requirements in various applications and configurations.



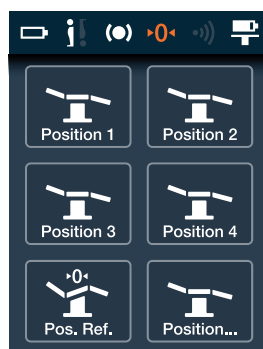
Additional package
TruSystem™ 7500 SensorLine
OR Table



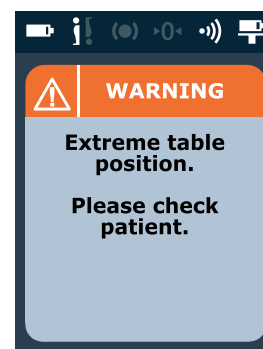
Simple, intuitive operation



Real-time table status



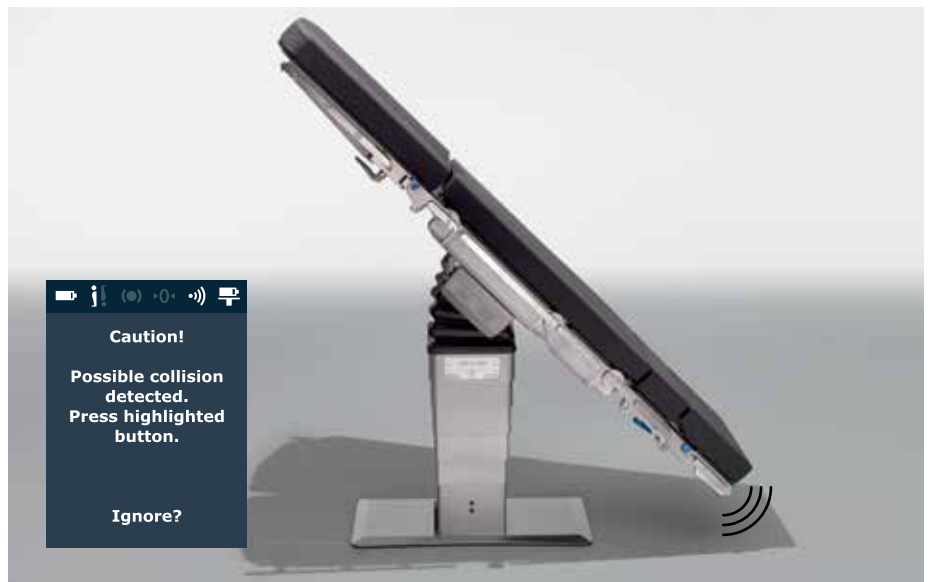
Rapid memory position



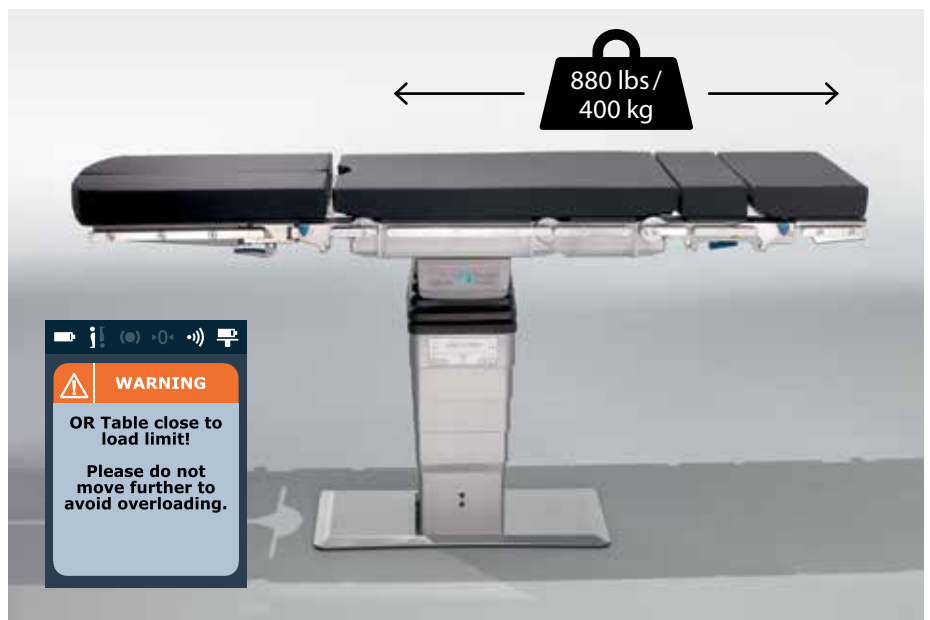
Built-in alert system for patient safety

Intelligent additional functions – ideal for every application

- **Individually customized** tabletop articulations for patient transport on the shuttle.
- **Configurable transfer height** for efficient patient transfer.
- **Rotation around a fixed isocenter** for visibility during minimally invasive procedures.
- **Enhanced Trendelenburg / tilting ratio** for optimal access during laparoscopic surgery
- **Efficient Trendelenburg adjustment** for patient care in emergencies.
- **Control panel lock** for additional protection during procedures.



Collision monitoring through detection and avoidance



Overload protection for maximum patient safety

TruConnect™ OR Integration System – intelligent networking

TruSystem™ 7500 OR Table is compatible with Trumpf Medical's OR Integration System, TruConnect™. This control and training system enables central operation of different

Trumpf Medical™ devices from the OR table to lights and cameras. TruConnect™ OR Integration System offers access to all functions and operating instructions – for specific, relevant information at the right place and time.

Innovative 3D visualization enables accurate positioning of the OR table via the touchscreen control panel



To learn more about TruConnect™ OR Integration System, go to:
www.trumpfmedical.com/en/truconnect

Assisted Patient Transfer with the Power Shuttle Transport System



The Power Shuttle Transport System makes processes in the OR more flexible and efficient. Integrated power sensors and individual speed control in the handles makes patient transport safer and more ergonomic.



Assisted Transfer with Shuttle - Optimize workflow within the OR with the TruSystem® 7500 Operating Table. The replaceable table top system enables patient transport within the following areas of the surgical suite:

- **Transfer and Preparation**

Workflow benefit: while working in the OR, the anaesthetic can be administered to the patient on the shuttle



- **OR room**

Workflow benefit: safe and precise transfer in just a few steps



- **Recovery**

Workflow benefit: ergonomic patient transfer in the recovery area



Safe Positioning for Every Procedure

TruSystem® 7500 OR Table offers a high number of positioning options for a wide variety of different applications: from general and neurosurgery to gynecology, urology, traumatology, and orthopedics. Flexibility is further increased by a wide range of positioning pads and special table accessories.



Neurosurgery: Procedures such as DBS



General Surgery: Thyroidectomy



Bariatric Surgery: Sleeve Gastrectomy



Spinal Surgery: Lumbar Fusion



Vascular Surgery with Isocentric Tilting



Orthopedics: Shoulder Surgery in Beach Chair Position



Gynecology: Lithotomy Position

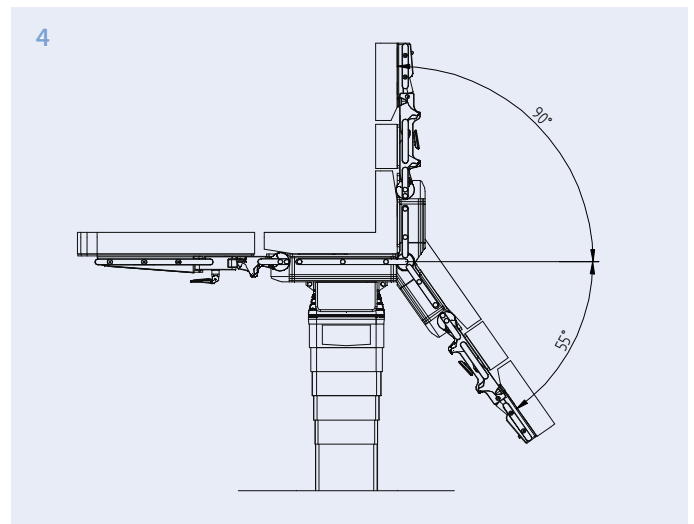
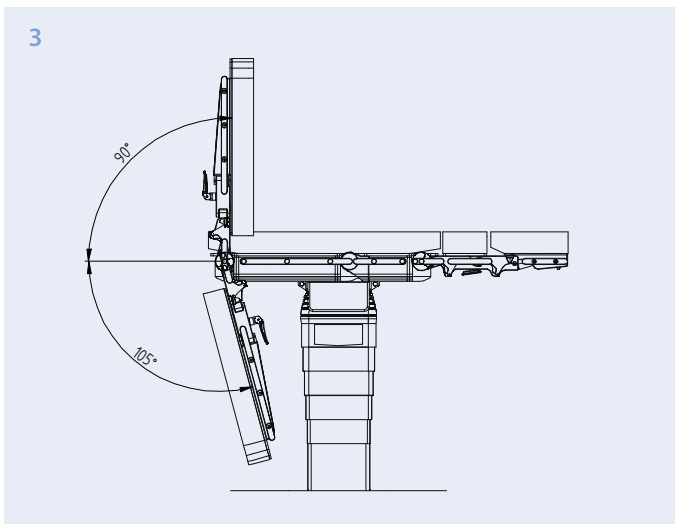
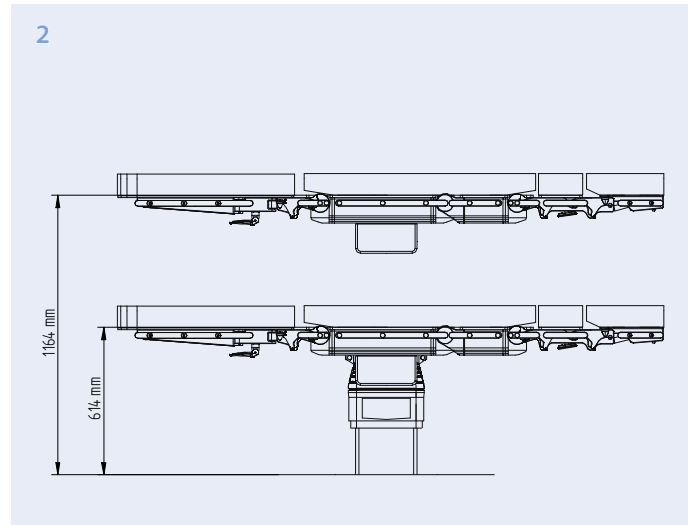
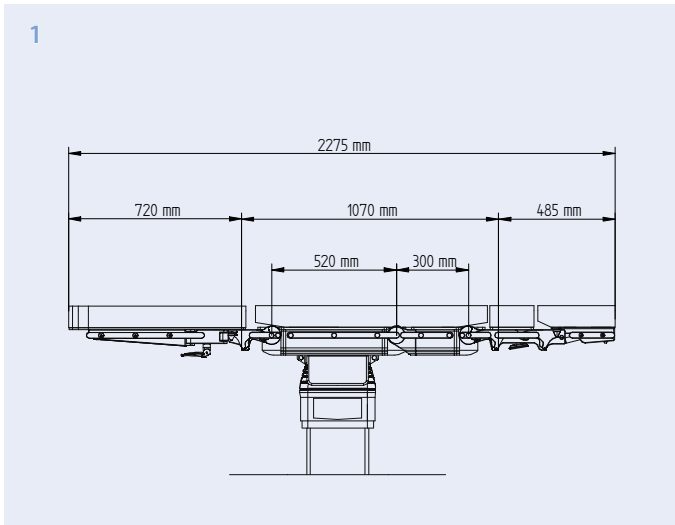


Orthopedics and Traumatology with MIS Hip Aggregate and Extension Unit



Thoracic Surgery in Lateral Position

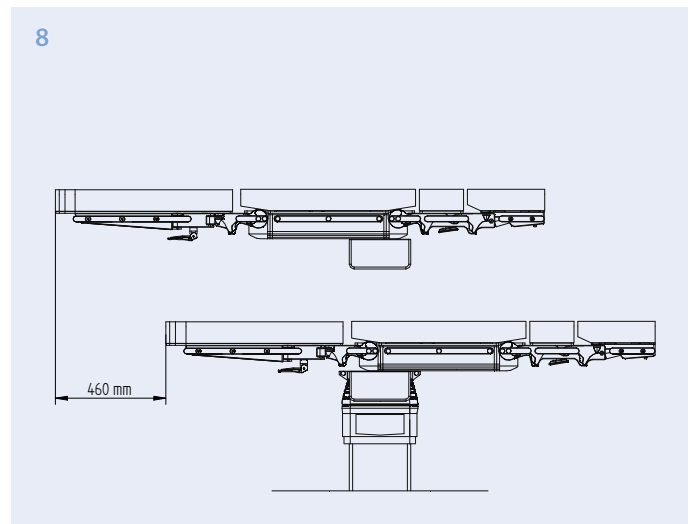
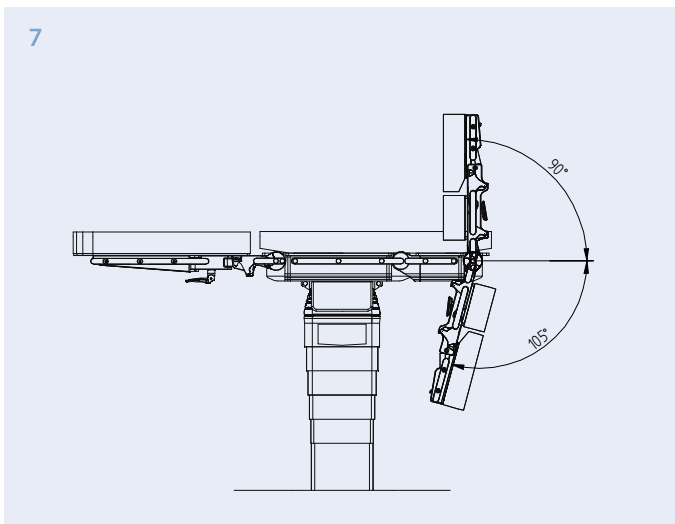
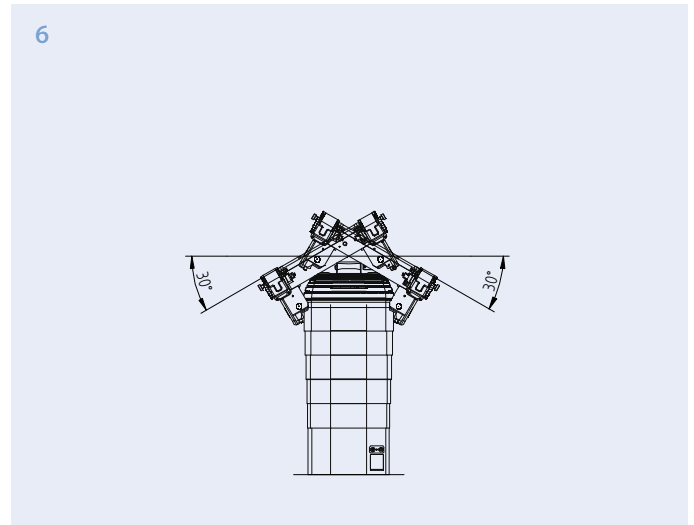
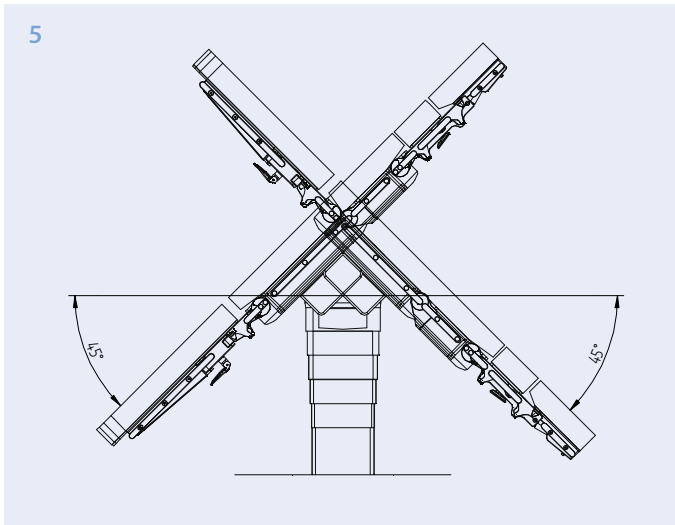
Technical Data in Detail



OR table columns	OR table column SF	OR table column SB	OR table column SM, hybrid MC ^[2]	OR table column hybrid SC, FC
Rotation	360° without stop	360° without stop	–	350° with stop
Column height	19.3"–40.9" / 490 mm–1,040 mm	20.5"–42.1" / 520 mm–1,070 mm	20.1"–41.7" / 510 mm–1,060 mm	19.3"–40.9" / 490 mm–1,040 mm (SC), 20.5"–42.1" / 520 mm–1,070 mm (FC)
Min. height incl. universal tabletop H	23.3" / 592 mm	24.5" / 622 mm	24.1" / 612 mm	–
Height adjustment range	21.7" / 550 mm	21.7" / 550 mm	21.7" / 550 mm	21.7" / 550 mm
Column cross-section (LxW)	12.4"–14.8" / 314 mm x 375 mm	12.4"–14.8" / 314 mm x 375 mm	12.4"–14.8" / 314 mm x 375 mm	12.4"–14.8" / 314 mm x 375 mm
Trendelenburg/tilting	±45°/±30°	±45°/±30°	±45°/±30°	±45°/±30°
Height of base plate	–	–	1" / 25 mm	–
Max. weight capacity ^[1]	880 lbs / 400 kg	880 lbs / 400 kg	880 lbs / 400 kg	880 lbs / 400 kg

^[1] With restrictions, depending on position of patient.

^[2] Cleaning shuttle for raising the mobile column enables cleaning of the underside of the base plate.



Drawings 1–7: OR table column mobile with universal OR tabletop U26 H

Drawing 8: OR table column mobile with universal OR tabletop U14 H

OR tabletops	Universal OR tabletops ^{[3] [4] [5] [6]}			Special OR tabletops ^{[3] [4] [5]}	
	U14 H	U24 H	U26 H	ST26 H	Carbon FloatLine™
Length	32.8" / 832 mm	42.1" / 1,070 mm	42.1" / 1,070 mm	39.5" / 1,070 mm	87.8" / 2,229 mm
Width across standard rails	23.6" / 600 mm	23.6" / 600 mm	23.6" / 600 mm	23.6" / 600 mm	20.5" / 520 mm
Adjustment range joint leg plate	+ 90°/– 105°	+ 90°/– 105°	+ 90°/– 105°	+ 90°/– 105°	–
Adjustment range joint upper back section input	–	+ 90°/– 70°	+ 90°/– 105°	+ 90°/– 105°	–
Adjustment range joint lower back section input	+ 90°/– 105°	+ 90°/– 55°	+ 90°/– 55°	+ 90°/– 55°	–
Trendelenburg	–	–	–	± 20°	–
Longitudinal shift	18.1" / 460 mm	15.7" / 400 mm	15.7" / 400 mm	13.8" / 400 mm	31.5" / 800 mm
Transverse shift	–	–	–	–	± 4.9" / 125 mm

^[3] Different operating devices available: cable remote control and chargers for wireless remote control (mobile and wall installation).

^[4] H tabletops are available with Balanced pads, CFL and ST26 are available with Balanced or Comfort Plus pads.

^[5] The universal OR tabletops are also available as a washable version.

Hill-Rom is a leading global medical technology company with more than 10,000 employees in over 100 countries. We partner with health care providers by focusing on patient care solutions that improve clinical and economic outcomes in five core areas: **Advancing Mobility, Wound Care and Prevention, Clinical Workflow, Surgical Safety and Efficiency, and Respiratory Health.** Hill-Rom people, programs, and product brands work towards one mission: **Every day, around the world, we enhance outcomes for our patients and their caregivers.**

Trumpf Medical, part of Hill-Rom, is distinguished by high-quality German engineering standards and offers innovative products to improve efficiency and safety in the OR, ICU, and in other clinical environments throughout the care sector. With our customers' requirements as our benchmark and innovation as the foundation of our success, Trumpf Medical delivers total solutions to fit your clinical care needs.

This document is destined solely for use by healthcare professionals. Medical devices shown in this brochure are intended for use with patients in departments of healthcare establishments.

These products are regulated health care products which, where required by applicable regulations, bear a CE mark. Hill-Rom recommends you carefully read the detailed instructions for safe and proper use included in the documentation accompanying the medical devices. The personnel of healthcare establishments are responsible for the proper use and maintenance of these medical devices.

TruConnect™ and TruSystem™ are registered trademarks of TRUMPF GmbH+ Co. KG.
Airo® is a registered trademark of Brainlab AG.

Hill-Rom reserves the right to make changes without notice in design, specifications and models. The only warranty Hill-Rom makes is the express written warranty extended on the sale or rental of its products.

©2017 Hill-Rom Services, Inc. ALL RIGHTS RESERVED.
Doc. No: 2068151, 15 February 2017

Not all products/options are available in all countries.
For further information about our products or services, please contact your local Trumpf Medical representative or visit our webpage:

www.trumpfmedical.com

Enhancing outcomes for
patients and their caregivers:

Hill-Rom