

LED medical micro spotlight cordless Headlight

KS-W03(5W)

L type optical path

- See Clearly
- Move Freely
- Comfort Fit
- Cost-Effective



The Surgical Micro KS-W01 is the latest generation of portable LED Surgical headlight systems offering high-quality, uniform beams using the patent-pending beam forming optics.

The light provides the user with a beam which is very uniform and exhibits no colour change over the range of the depth of field of loupes. It should be noted that both the colour and beam uniformity is much better than other brands of LED dental headlamps which use a single lens display changes over the depth of field of the loupes.

Engineered with the latest generation of Lithium-Ion Quick-Charge batteries, the battery provides up to 6 hours of regulated power. Built into the battery unit the headlight has stepless light intensity control adjustment. This allows the user to have precise control over the brightness of the headlight allowing for the maximum detail to be viewed.

Ultra-light Weight

The unique design dispenses weight evenly across the bridge of the frame minimizing pressure on the clinician's nose

Uniform Round Spot

A precise focused light provides enhanced visibility during procedures
Precision light imaging by multi optical lens and Spot size adjustable by inner mini light grating

Ultimate Practical Performance

Power light on and off with ease between procedures and patient consultations

built-in Rechargeable Li-ion battery with LED screen display power indication, fast and easy recharging of battery



Even-light

Homogeneous spot provides even light, light spot of luminance uniform and distinct with no light pollution from outside



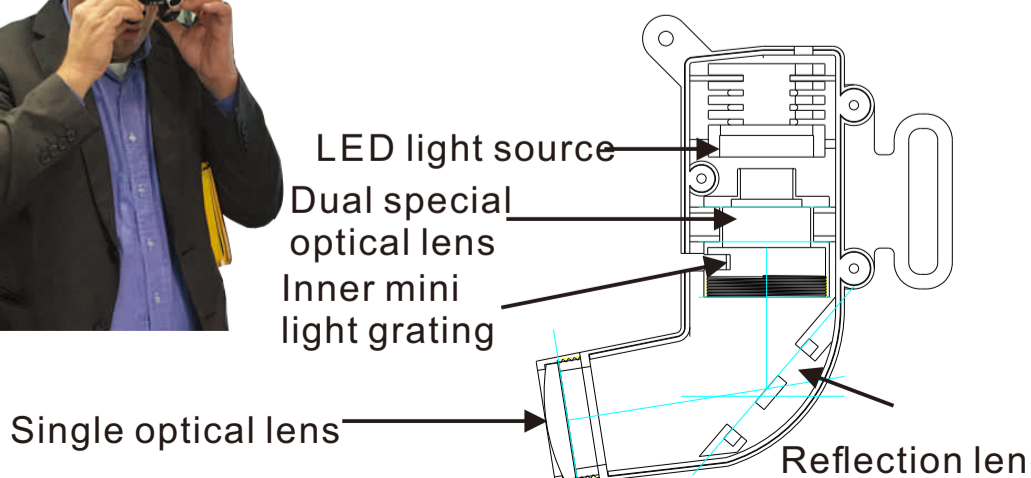
Adjust&display

Full digital brightness control and LCD screen display offer obviously power volume condition and brightness step



Specification of headlight

- Illumination source :5WLED
- Illumination intensity:10000lux-28000lux
- Color temperature: 5000-6000K
- Spot size: Max D=70mm Min D=15mm at D=320mm
- Lamp working life 50,000 hours
- Battery 3.7V Lithium Battery
- Battery run time >8 hours
- Battery charging time: 3 hours
- Input voltage 100-240VAC



Standard Configuration

- Headlight main unit 1 pc
- Battery 1 pc
- Charger 1 pc
- EPE Foam package 1 set

Option

- Spare battery
- Binocular loupe M250
- Binocular loupe M350
- Binocular loupe M450
- Alluminium case